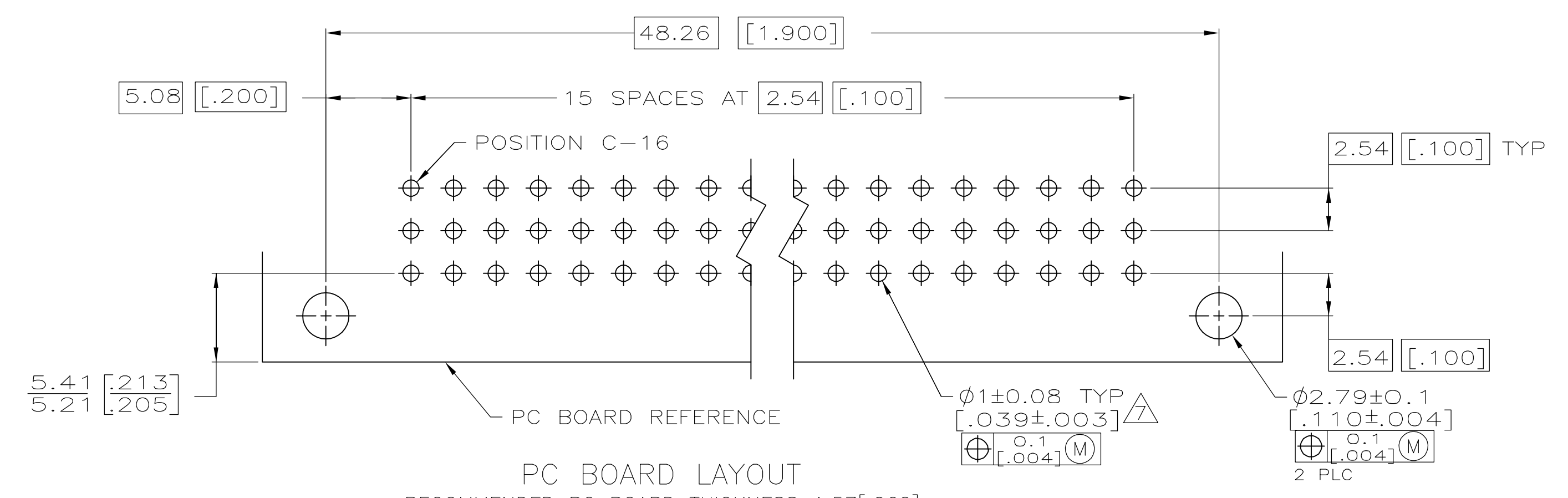
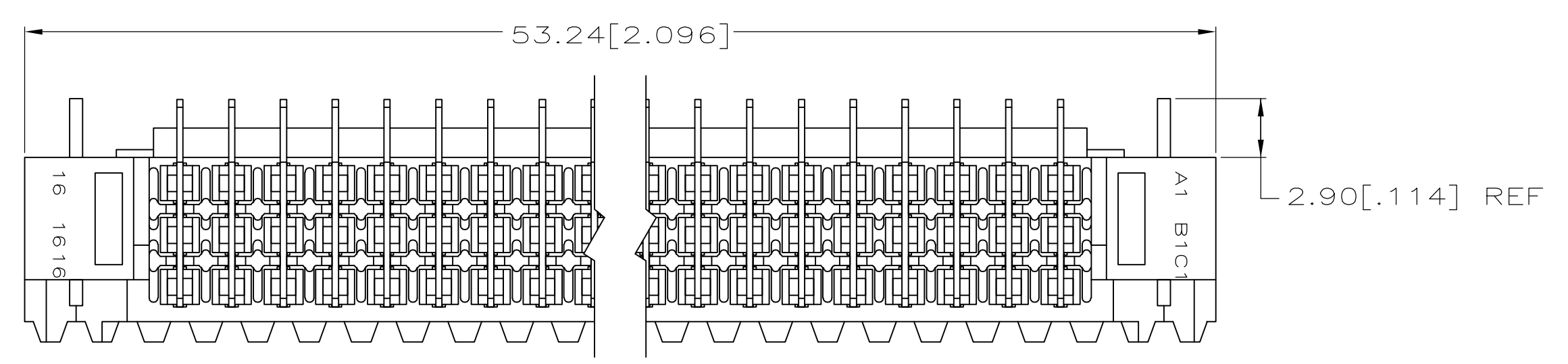
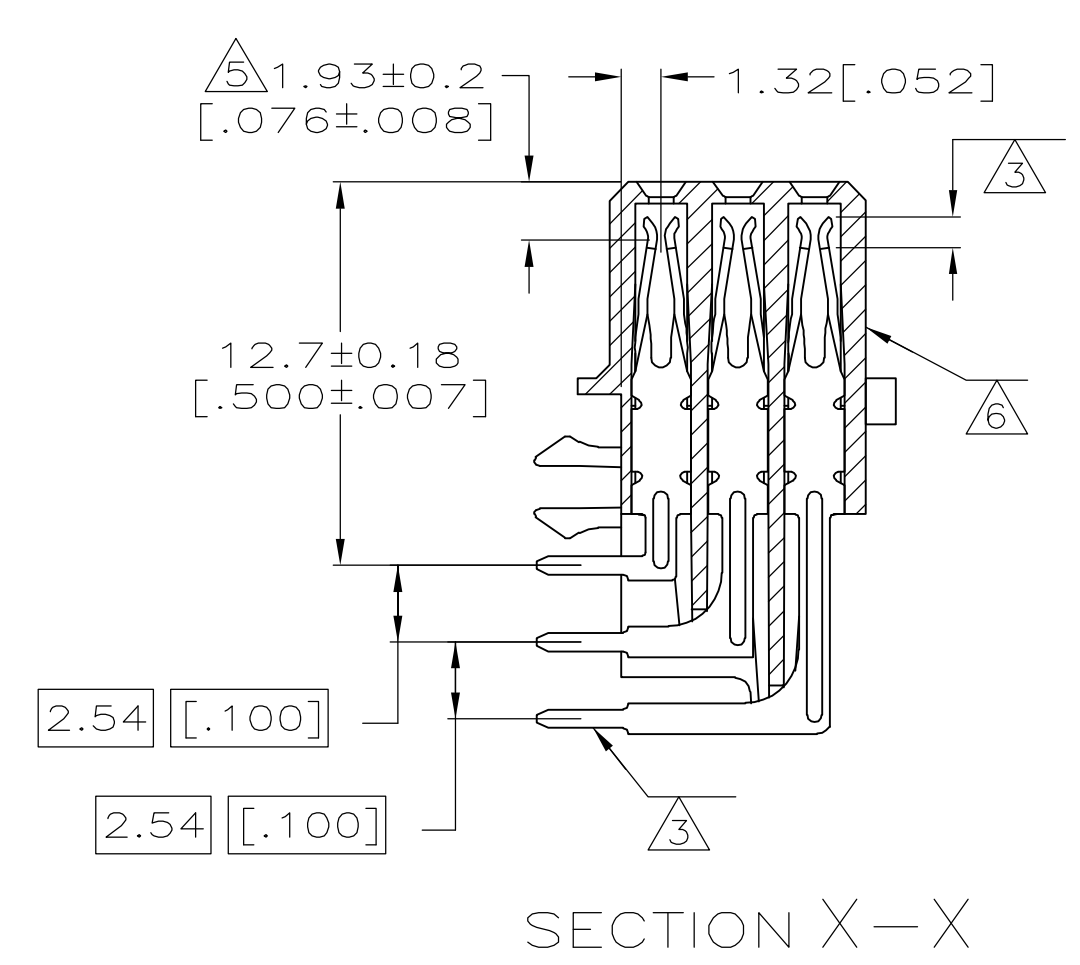
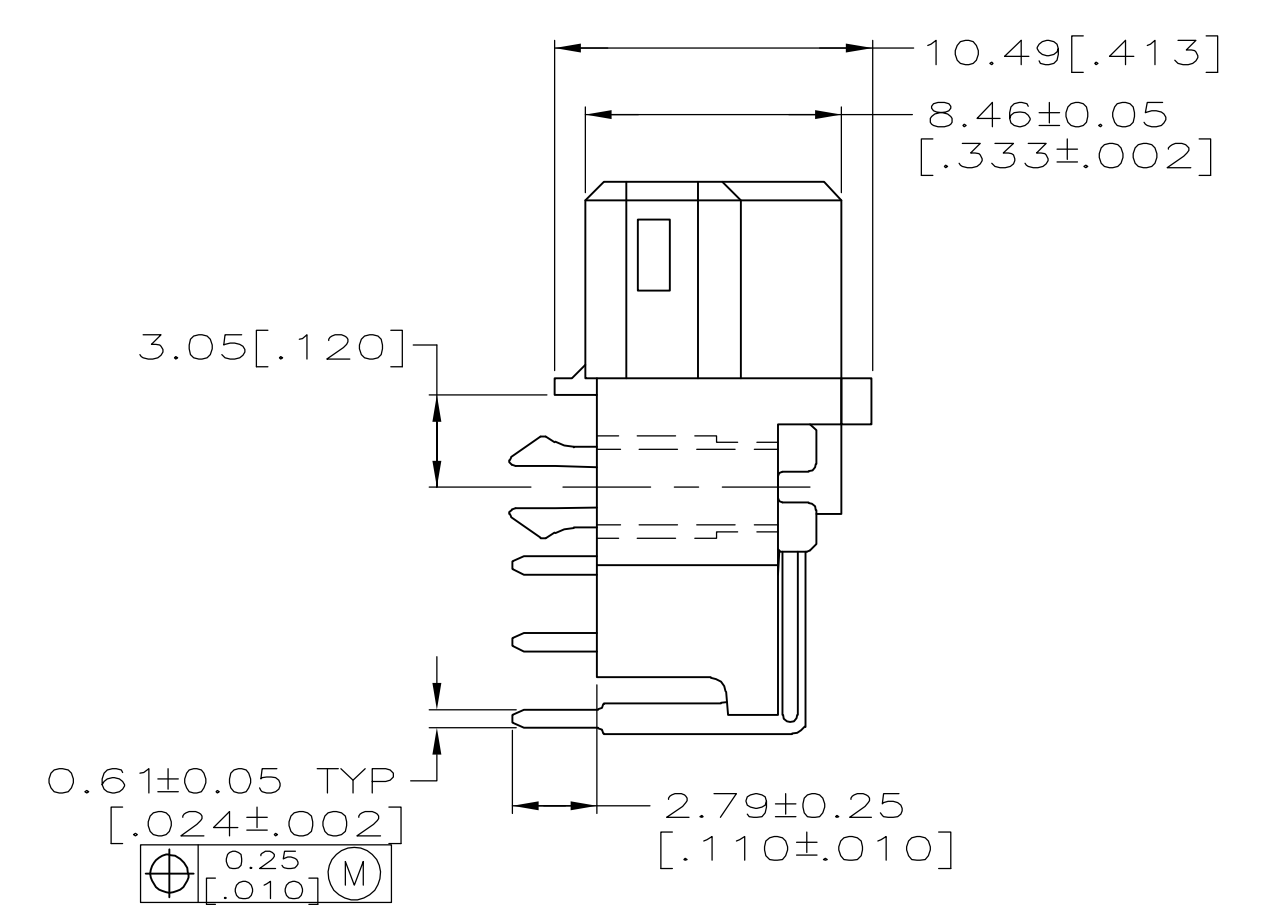
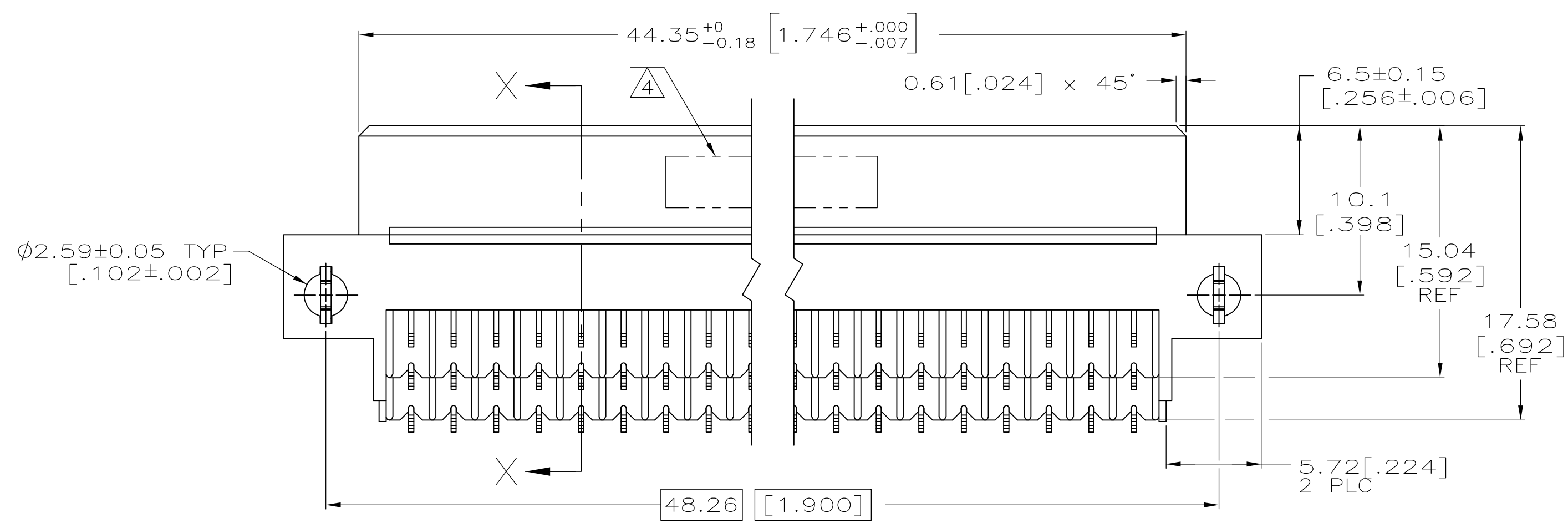


- 1 HOUSING MATERIAL: GLASS-FILLED POLYMER.
- 2 CONTACT MATERIAL: COPPER ALLOY.
- 3 POST FINISH: DIN 41612 CLASS 2 IN CONTACT AREA. TIN-LEAD PLATE ON POSTS.
- 4 PART NUMBER, DATE CODE IDENTIFICATION, CSA LOGO, THIS APPROXIMATE AREA.
- 5 CONTACT POINT.
- 6 MARKING ON THIS SIDE.
- 7 RECOMMENDED HOLE SIZE FOR MANUAL APPLICATION OF CONNECTOR ONTO PC BOARD.



1-16	X	X	X	48	5650893-5
1-16	X	X	X	48	5650893-4
POSITIONS LOADED	C	B	A	NO. OF LOADED POSITIONS	PART NUMBER

THIS DRAWING IS A CONTROLLED DOCUMENT.

DIMENSIONS: mm [INCHES]	TOLERANCES UNLESS OTHERWISE SPECIFIED:	DWN: J. POLIGNONE 03JUN05	chk: A. SHARPE 03JUN05	NAME: A. SHARPE 03JUN05	tyco Electronics	Tyco Electronics Corporation Harrisburg, Pa 17105-3608
0 PLC ± -	1 PLC ± -	2 PLC ± 0.15[.005]	3 PLC ± -	4 PLC ± -	ANGLES ± -	FINISH
MATERIAL			SIZE: A1		CAGE CODE: 00779	DRAWING NO: 5650893
CUSTOMER DRAWING			SCALE: 4:1		SHEET: 1 OF 1	REV: 0